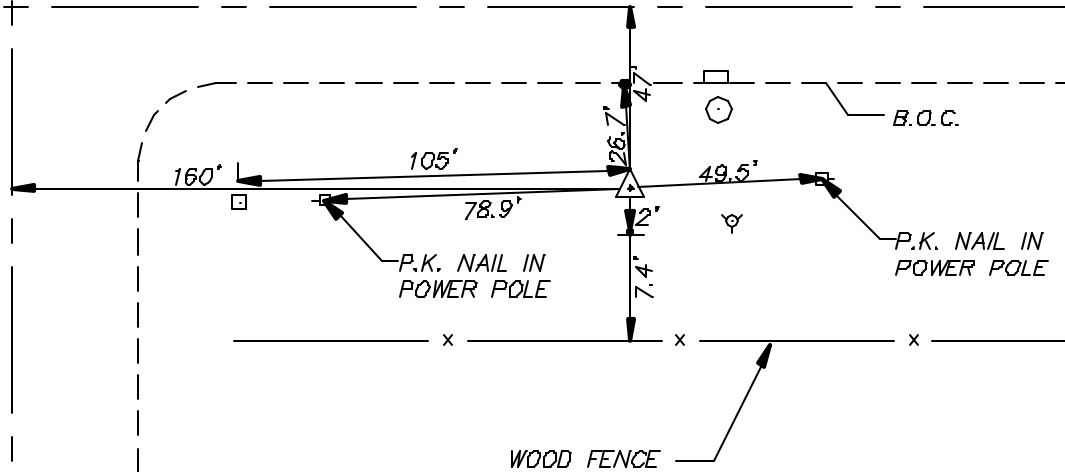


IL ROUTE 25

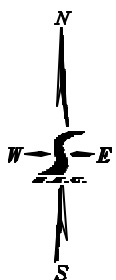
W. BARTLETT ROAD



NOTE: STATION IS 24.5 FT SOUTH OF THE BACK OF CURB AND 10 FT NORTHWEST OF A FIRE HYDRANT.

LEGEND

	STATION
	FIRE HYDRANT
	P.K. NAIL IN PAVEMENT
	WITNESS POST
	INLET
	POWER POLE
	CATCH BASIN
	ROW MARKER



NOT TO SCALE